



Technical Features



RAL 9016
standard



Stainless
steel



Other colors
on request



Range
Up to 4,2 m



Airflow
1640 - 5110 m³/h



Fans
EC Double Inlet
Centrifugal



Heating type
Heat pump
with sensors



Heating capacity
7,9 - 27 kW



Casing
Galvanised Steel
Self-Supporting



Grille type
Suction lamellas and
perforated 80x4



Outlet vanes
Fixed lamellas



Control
Slave DX
(Optional Control Clever)

RECESSED DAM is an air curtain from the standard range that stands out for its versatility and the design that can be recessed in false ceilings, with a full view of the diffuser grille. The maintenance-free air inlet grille is integrated into a single frame in white, or your choice of colour on request. Its energy saving heat pump compatible version achieves a reduction of up to 70% in consumption and CO₂ emissions (in heating mode).

Ready to connect to LG Inverter heat pump (R32/R410A) with direct expansion valve, not included to be purchased by the customer. Includes Interface Kit DX PAHCMRA000 adapted by curtain and programmable control LG PREMTB001.

On request the air curtain can be modified to work in cooling and heating (not recommended) with optional water condensate pump.

Air curtain specifications

Model	Airflow m ³ /h	Fans Power	Fans Current	Outdoor unit	Outdoor unit	Gas-Liquid pipe connections	Noise Level (5 m)	Weight kg
		230V-50/60Hz kW	230V-50/60Hz A	230Vx1	400Vx3	in	dB(A)	
RDAM ECM 1000 DX8-LG	1640	0,142	1,24	UUC1 U40	-	5/8" - 3/8"	56	50
RDAM ECM 1500 DX11-LG	2460	0,213	1,86	UUD1 U30	UUD3 U30	5/8" - 3/8"	57	74
RDAM ECM 2000 DX16-LG	3280	0,284	2,48	UUD1 U30	UUD3 U30	5/8" - 3/8"	58	95
RDAM ECM 2500 DX22-LG	4100	0,355	3,10	-	UU70W U34	1" - 3/8"	59	106
RDAM ECG 1000 DX10-LG	2190	0,213	1,86	UUD1 U30	UUD3 U30	5/8" - 3/8"	61	55
RDAM ECG 1500 DX15-LG	2920	0,284	2,48	UUD1 U30	UUD3 U30	5/8" - 3/8"	62	80
RDAM ECG 2000 DX20-LG	4380	0,426	3,72	-	UU70W U34	1" - 3/8"	63	105
RDAM ECG 2000 DX22-LG	4380	0,426	3,72	-	UU70W U34	1" - 3/8"	63	105
RDAM ECG 2500 DX22-LG	5110	0,497	4,34	-	UU70W U34	1" - 3/8"	64	114
RDAM ECG 2500 DX27-LG	5110	0,497	4,34	-	UU85W U74	7/8" - 1/2"	64	114

Outdoor unit specifications

LG inverter model Outdoor Unit	Heating capacity kW	COP or SCOP	Cooling capacity kW	EER or SEER	Voltage	Gas-liquid pipes	Minimum pipe length	Maximum pipe length	Maximum pipe height
						in	m	m	m
UUC1 U40	7,9	4,8	6,8	8,5	230Vx1	5/8" - 3/8"	5	50	30
UUD1 U30 (36)	10,8	4,5	9,5	7,6	230Vx1	5/8" - 3/8"	5	85	30
UUD1 U30 (42)	13,5	4,5	12,1	7,4	230Vx1	5/8" - 3/8"	5	85	30
UUD1 U30 (48)	15,5	4,5	13,4	6,8	230Vx1	5/8" - 3/8"	5	85	30
UUD1 U30 (60)	17,5	4,5	15	6,6	230Vx1	5/8" - 3/8"	5	85	30
UUD3 U30 (36)	10,8	4,5	9,5	7,6	400Vx3	5/8" - 3/8"	5	85	30
UUD3 U30 (42)	13,5	4,5	12,1	7,4	400Vx3	5/8" - 3/8"	5	85	30
UUD3 U30 (48)	15,5	4,5	13,4	6,8	400Vx3	5/8" - 3/8"	5	85	30
UUD3 U30 (60)	17,5	4,5	15	6,6	400Vx3	5/8" - 3/8"	5	85	30
UU70W U34	22,4	3,5	19	2,84	400Vx3	1" - 3/8"	5	75	30
UU85W U74	27	3,25	23	2,81	400Vx3	7/8" - 1/2"	5	75	30



Technical Features



RAL 9016
standard



Stainless
steel



Other colors
on request



Range
Up to 4,2 m



Airflow
1640 - 5110 m³/h



Fans
EC Double Inlet
Centrifugal



Heating type
Heat pump
with sensors



Heating capacity
7,9 - 29 kW



Casing
Galvanised Steel
Self-Supporting



Grille type
Suction lamellas and
perforated 80x4



Outlet vanes
Fixed lamellas



Control
Slave DX
(Optional Control Clever)

RECESSED DAM is an air curtain from the standard range that stands out for its versatility and the design that can be recessed in false ceilings, with a full view of the diffuser grille. The maintenance-free air inlet grille is integrated into a single frame in white, or your choice of colour on request. Its energy saving heat pump compatible version achieves a reduction of up to 70% in consumption and CO2 emissions (in heat mode).

Ready to connect to LG VRF outdoor heat pump unit (R32/R410A) and expansion valve not included, the customer should purchase it. Requires LG VRF Interface KIT adapted for air curtain and programmable control, please consult.

On request the air curtain can be modified to work in cooling and heating (not recommended) with optional water condensate pump.

Air curtain specifications

Model	Airflow m ³ /h	Fans Power 230V-50/60Hz kW	Fans Current 230V-50/60Hz A	Expansion valve	Gas-Liquid pipe connections in	Noise Level (5 m) dB(A)	Weight kg
RDAM ECM 1000 VRF8-LG	1640	0,142	1,24	PRLK048A0	5/8" - 3/8"	56	35
RDAM ECM 1500 VRF12-LG	2460	0,213	1,86	PRLK048A0	5/8" - 3/8"	57	53
RDAM ECM 2000 VRF16-LG	3280	0,284	2,48	PRLK048A0	5/8" - 3/8"	58	69
RDAM ECM 2000 VRF19-LG	3280	0,284	2,48	PRLK048A0	5/8" - 3/8"	58	69
RDAM ECM 2500 VRF21-LG	4100	0,355	3,10	PRLK048A0	1" - 3/8"	59	86
RDAM ECM 2500 VRF24-LG	4100	0,355	3,10	PRLK048A0	1" - 3/8"	59	86
RDAM ECG 1000 VRF10-LG	2190	0,213	1,86	PRLK048A0	5/8" - 3/8"	61	50
RDAM ECG 1500 VRF15-LG	2920	0,284	2,48	PRLK048A0	5/8" - 3/8"	62	59
RDAM ECG 2000 VRF20-LG	4380	0,426	3,72	PRLK048A0	1" - 3/8"	63	92
RDAM ECG 2000 VRF24-LG	4380	0,426	3,72	PRLK048A0	1" - 3/8"	63	92
RDAM ECG 2500 VRF25-LG	5110	0,497	4,34	PRLK048A0	1" - 3/8"	64	96
RDAM ECG 2500 VRF29-LG	5110	0,497	4,34	PRLK048A0	7/8" - 1/2"	64	96

The VRF-compatible models are as follows:

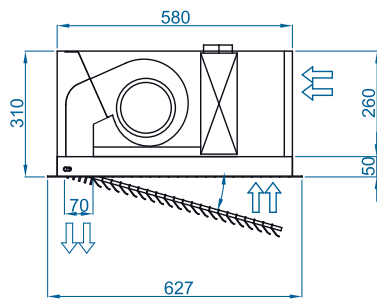
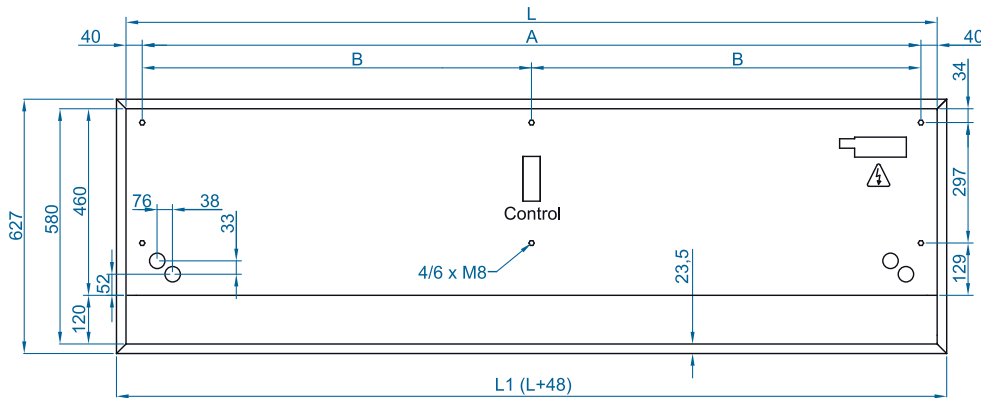
- Multi V S
- Multi V 5
- Multi V IV



Selection program



Dimensions



Model	L	L1	A	B
1000	1000	1048	920	-
1500	1500	1548	1420	710
2000	2000	2048	1920	960
2500	2500	2548	2420	1210

CAD drawings, BIM files, installation manuals and other documents



Accessories

Supports



Wall rail support
SPWR



Silentblock supports
SPANG-SIL / SLB



Grippler hanger
SPCT



Slave DX
(Included)



Interface kit
IN-NE-II



Clever Control Kit



RJ45 Cable



External Temperature
Sensor (Clever, TD-NE)

Sensors



Magnetic door contact
DC



Mechanical door contact
DC